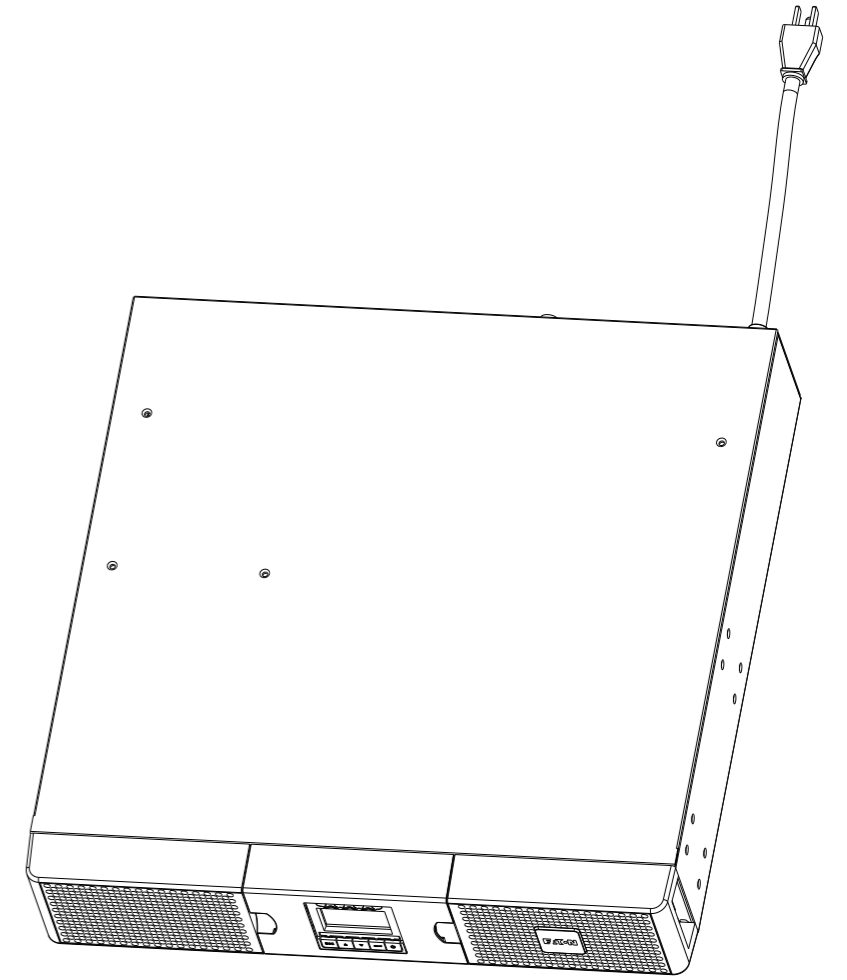
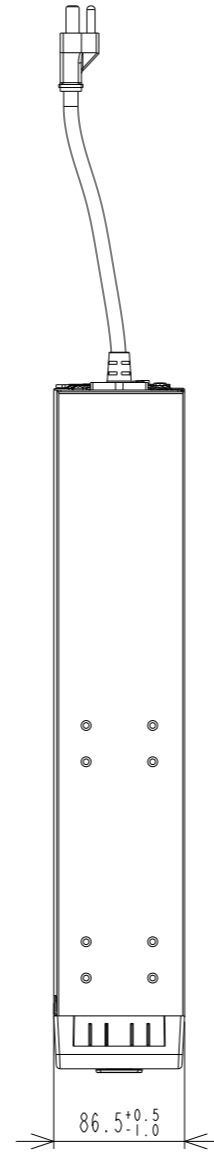
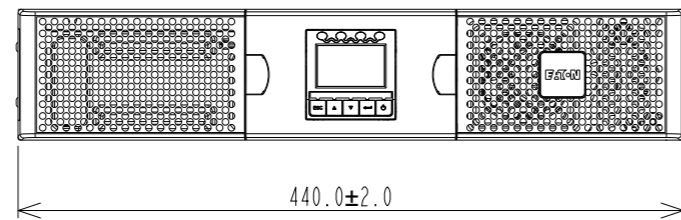
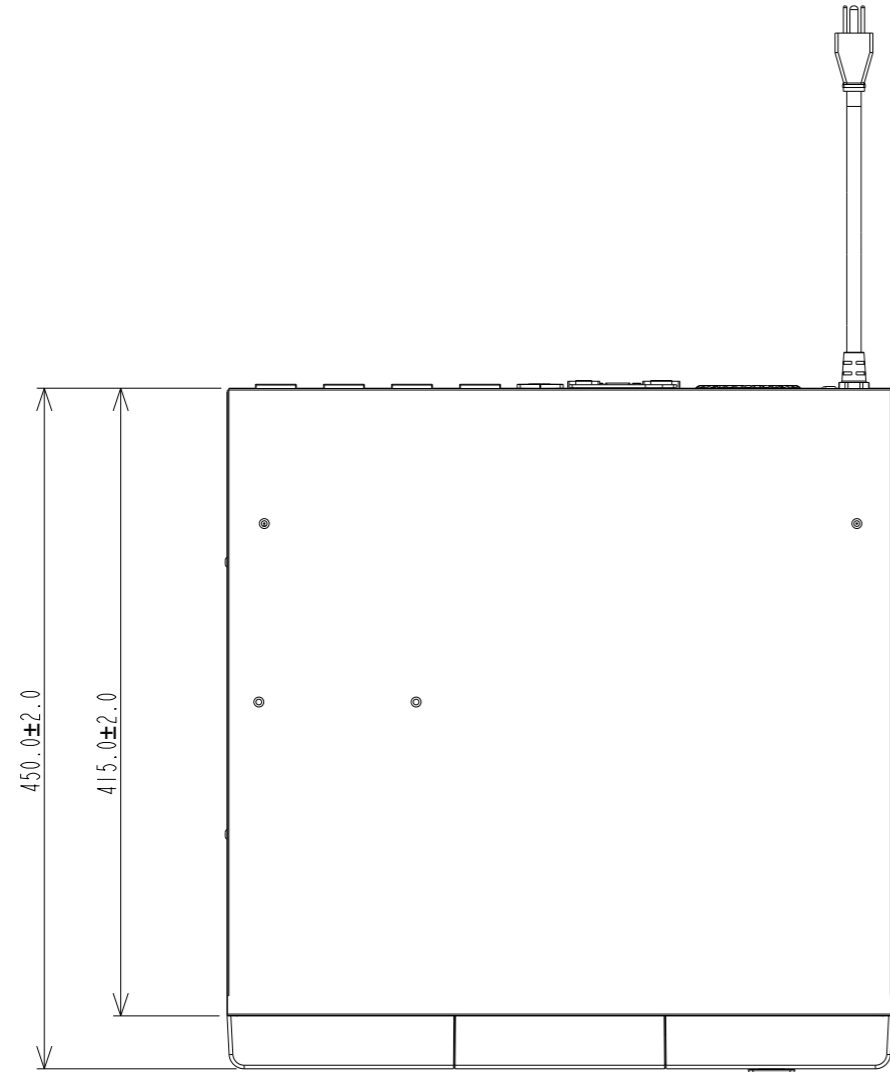
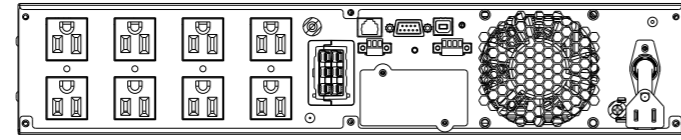


REV	DATE	ECO-CODE	MODIFICATION	PREPARED	APPROVED
00	09-Jun-2021		FIRST ISSUE	Shen Guocheng	Fei Bennett



SCALE 0.200

Note:
THE DRAWING APPLIES BELOW MODELS:

MFD ID	Catalog Nb	Short Description
9103-LB60026	9PX1500RT-L	Eaton 9PX 1500 RT2U Li-Ion

METRIC		EATON CORPORATION		
DIMENSIONS ARE IN MILLIMETERS AFTER PLATING. DIMENSIONS AND TOLERANCES IN ACCORDANCE WITH ASME Y14.5M-1994. SEE NOTES FOR TOLERANCES.				
DESCRIPTION: Cassini LV 1.5K models				
ORIGINATED: Shen Guocheng	09-Jun-2021	ECO:	NAME:	REVISION:
MODIFIED:				STATE:
CHECKED: Shen Guocheng	09-Jun-2021	DOCUMENT TYPE: PRO-E DRAWING	LV 1.5K UPS	
SAFETY:				
APPROVED: Fei Bennett	09-Jun-2021			

EATON CORPORATION - CONFIDENTIAL AND PROPRIETARY
NOTICE TO PERSONS RECEIVING THIS DOCUMENT AND/OR TECHNICAL INFORMATION
THIS DOCUMENT, INCLUDING THE DRAWING AND INFORMATION CONTAINED THEREON, IS CONFIDENTIAL AND IS THE EXCLUSIVE PROPERTY OF EATON CORPORATION, AND IS MERELY ON LOAN AND SUBJECT TO RECALL BY EATON AT ANY TIME. BY TAKING POSSESSION OF THIS DOCUMENT, THE RECIPIENT ACKNOWLEDGES AND AGREES THAT THIS DOCUMENT CANNOT BE USED IN ANY MANNER ADVERSE TO THE INTERESTS OF EATON AND THAT NO PORTION OF THIS DOCUMENT MAY BE COPIED OR OTHERWISE REPRODUCED WITHOUT THE PRIOR WRITTEN CONSENT OF EATON. IN THE CASE OF CONFLICTING CONTRACTUAL PROVISIONS, THIS NOTICE SHALL GOVERN THE STATUS OF THIS DOCUMENT. © 2011 Eaton Corporation - All Rights Reserved.