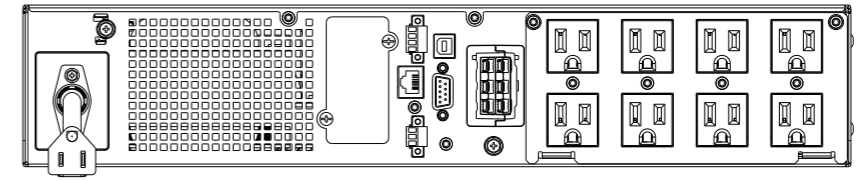
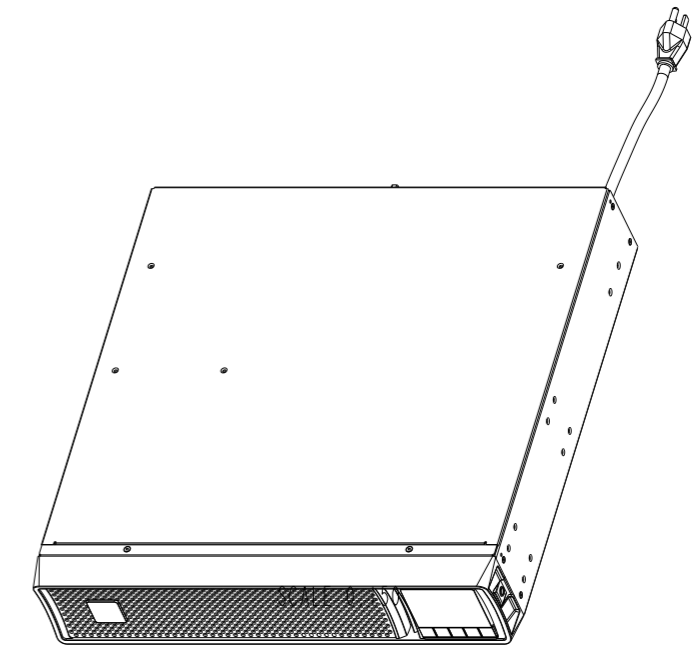
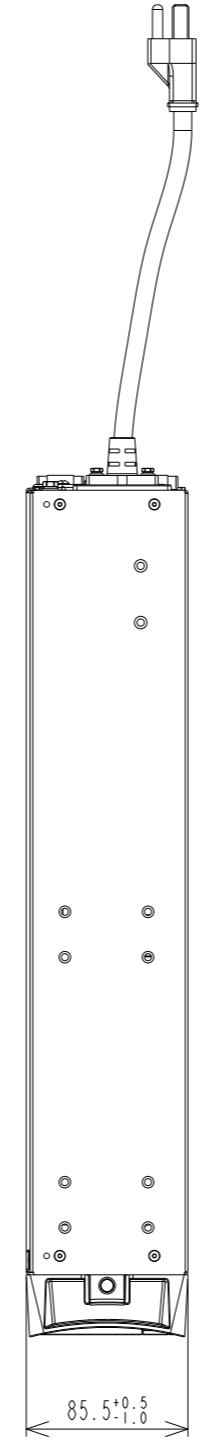
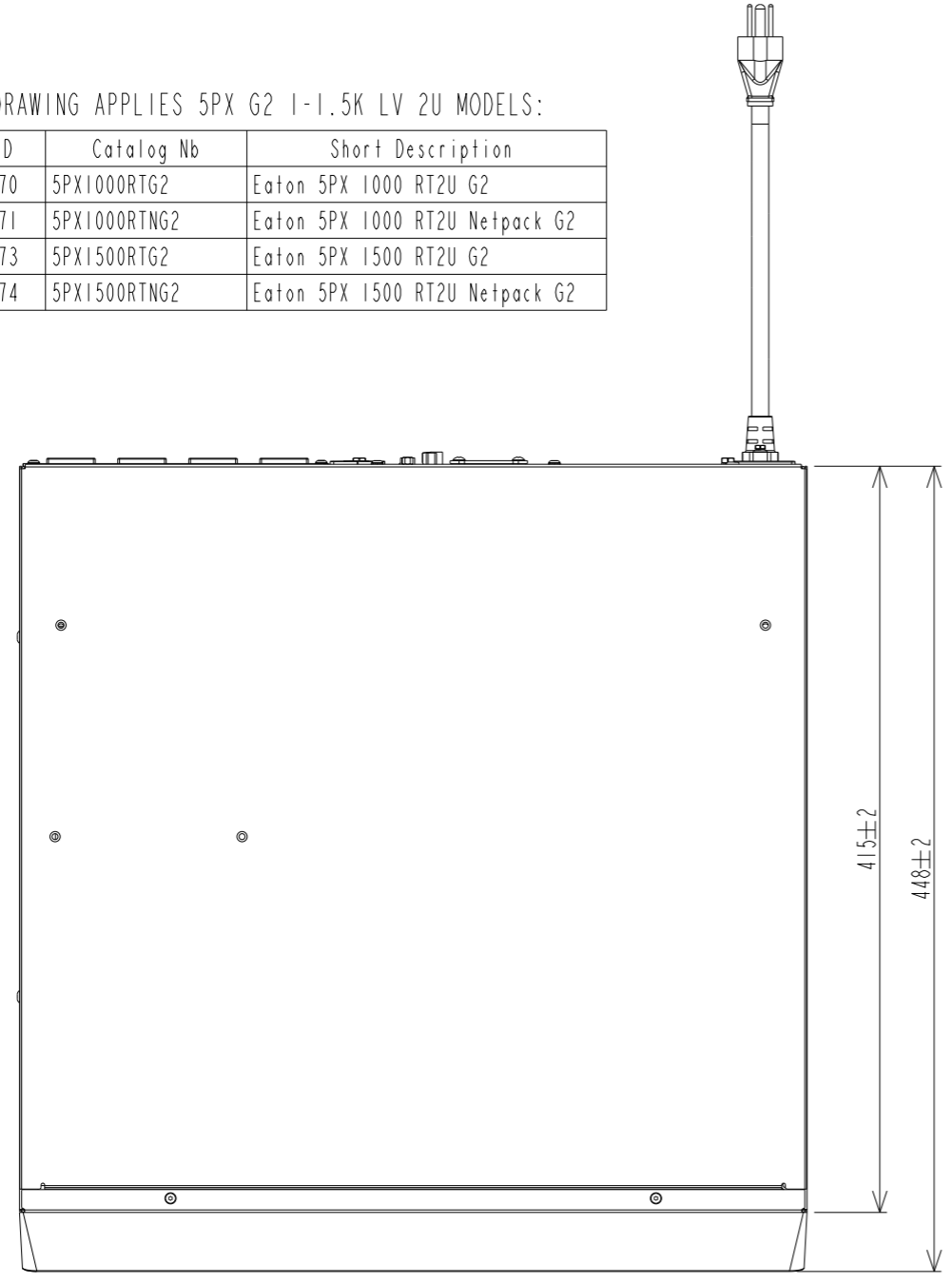


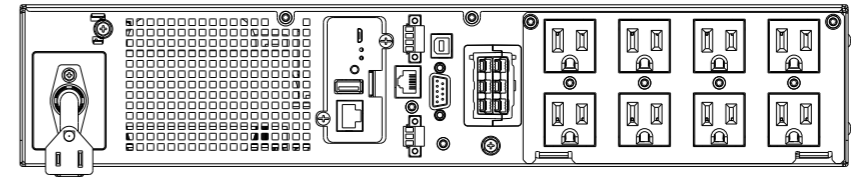
| REV | DATE | ECO-CODE | MODIFICATION | PREPARED | APPROVED |
|-----|-------------|----------|--------------|-----------|--------------|
| 00 | 27-May-2021 | | FIRST ISSUE | Wang, Yao | Fei, Bennett |

Notes:
THIS DRAWING APPLIES 5PX G2 1-1.5K LV 2U MODELS:

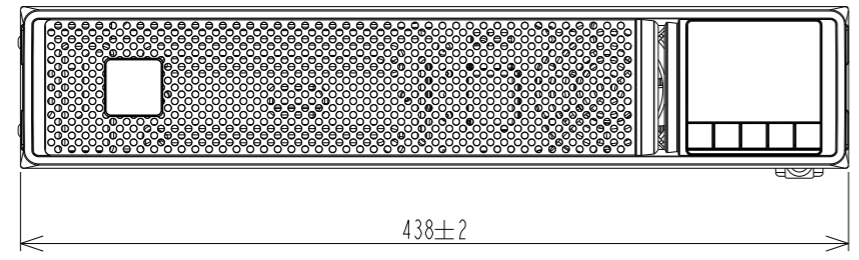
| MGF ID | Catalog Nb | Short Description |
|-----------|--------------|--------------------------------|
| 9210-5170 | 5PX1000RTG2 | Eaton 5PX 1000 RT2U G2 |
| 9210-5171 | 5PX1000RTNG2 | Eaton 5PX 1000 RT2U Netpack G2 |
| 9210-6173 | 5PX1500RTG2 | Eaton 5PX 1500 RT2U G2 |
| 9210-6174 | 5PX1500RTNG2 | Eaton 5PX 1500 RT2U Netpack G2 |



Rear Panel View



Netpack Model Rear Panel View



| | | | | | |
|---------------------------------------------------------------------------------------------------------------------------------------|-------------|------------------------------|------------------|-----------|---------------|
| METRIC | | EATON CORPORATION | | | |
| DIMENSIONS ARE IN MILLIMETERS AFTER PLATING. DIMENSIONS AND TOLERANCES IN ACCORDANCE WITH ASME Y14.5M-1994. SEE NOTES FOR TOLERANCES. | | | | | |
| DESCRIPTION: 5PX G2 1-1.5K LV model | | | | | |
| ORIGINATED: Wang Yao | 27-May-2021 | ECO: | NAME: | REVISION: | SIZE: A3 |
| MODIFIED: / | / | | | | SCALE: 0.250 |
| CHECKED: / | / | DOCUMENT TYPE: PRO-E DRAWING | 5PX G2 1-1.5K LV | STATE: | SHEET: 1 OF 1 |
| SAFETY: / | / | | | | |
| APPROVED: Fei Bennett | 27-May-2021 | | | | |

EATON CORPORATION - CONFIDENTIAL AND PROPRIETARY
NOTICE TO PERSONS RECEIVING THIS DOCUMENT AND/OR TECHNICAL INFORMATION
THIS DOCUMENT, INCLUDING THE DRAWING AND INFORMATION CONTAINED THEREON, IS CONFIDENTIAL AND IS THE EXCLUSIVE PROPERTY OF EATON CORPORATION, AND IS MERELY ON LOAN AND SUBJECT TO RECALL BY EATON AT ANY TIME. BY TAKING POSSESSION OF THIS DOCUMENT, THE RECIPIENT ACKNOWLEDGES AND AGREES THAT THIS DOCUMENT CANNOT BE USED IN ANY MANNER ADVERSE TO THE INTERESTS OF EATON AND THAT NO PORTION OF THIS DOCUMENT MAY BE COPIED OR OTHERWISE REPRODUCED WITHOUT THE PRIOR WRITTEN CONSENT OF EATON. IN THE CASE OF CONFLICTING CONTRACTUAL PROVISIONS, THIS NOTICE SHALL GOVERN THE STATUS OF THIS DOCUMENT. © 2011 Eaton Corporation - All Rights Reserved.