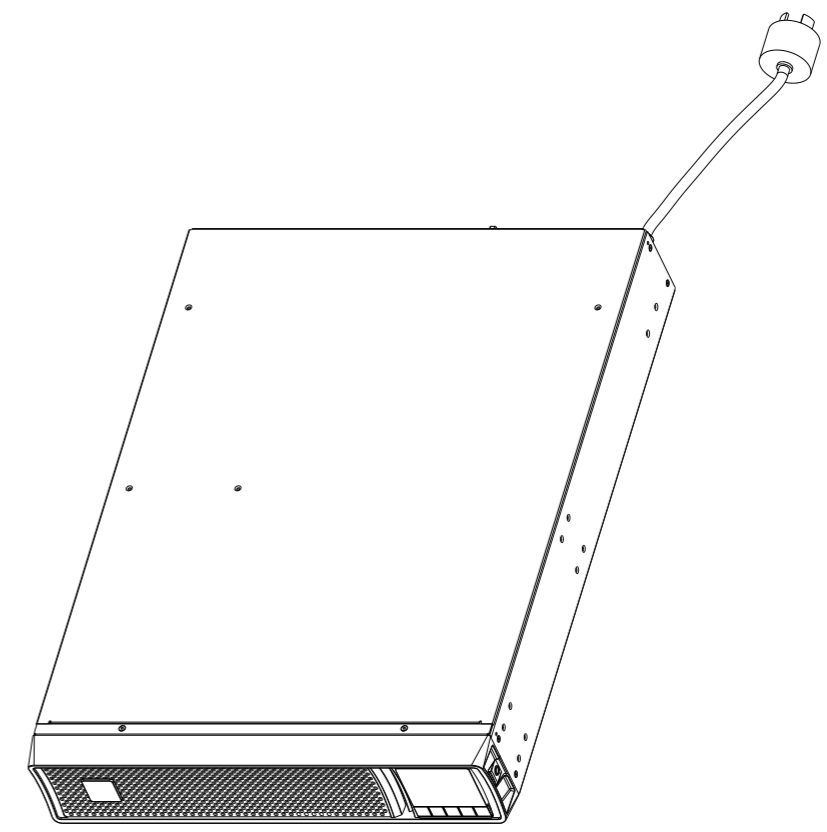
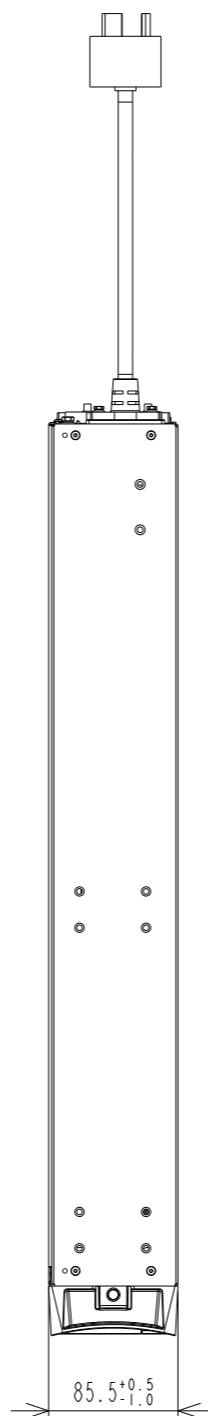
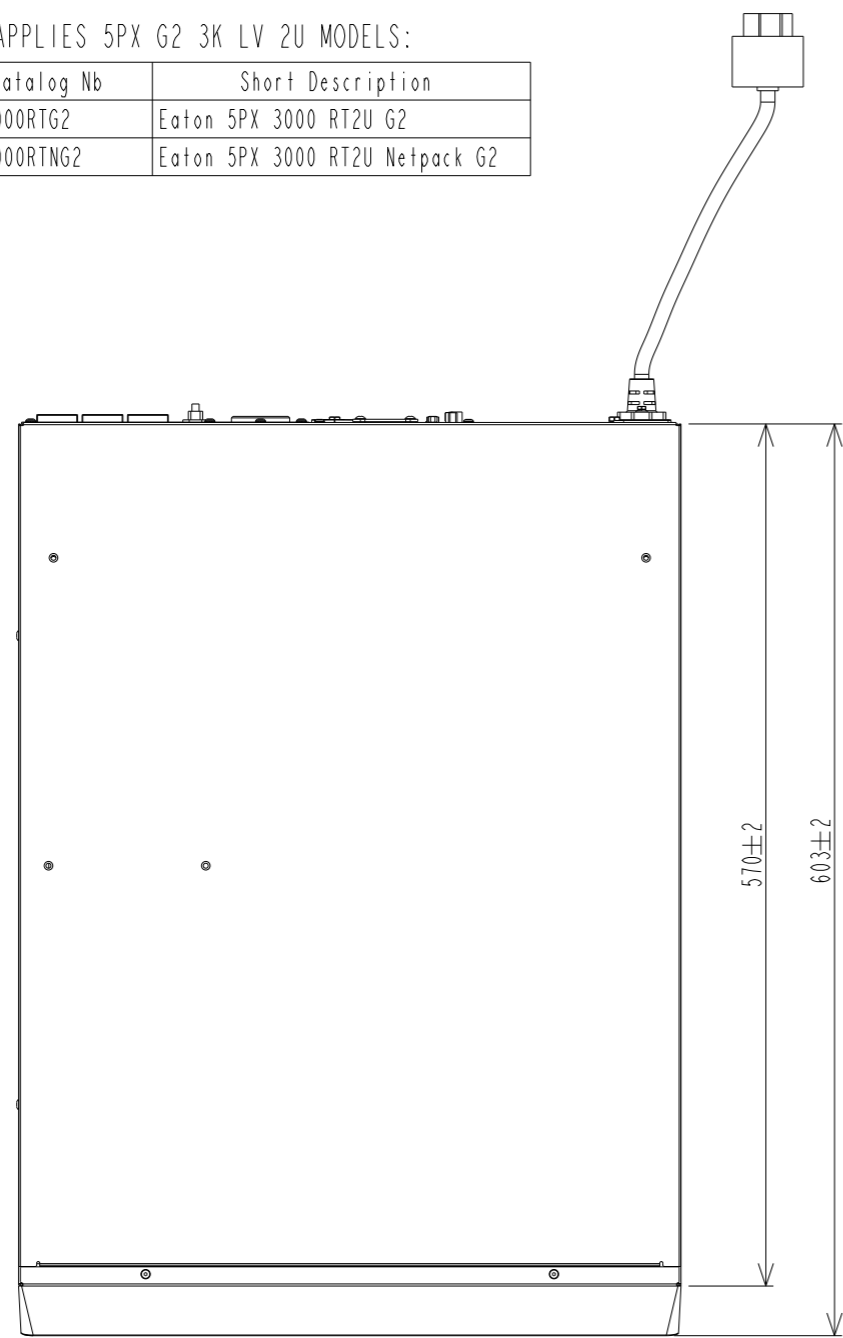


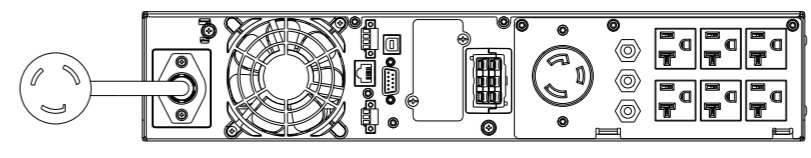
REV	DATE	ECO-CODE	MODIFICATION	PREPARED	APPROVED
00	27-May-2021		FIRST ISSUE	Wang, Yao	Fei, Bennett

Notes:  
THIS DRAWING APPLIES 5PX G2 3K LV 2U MODELS:

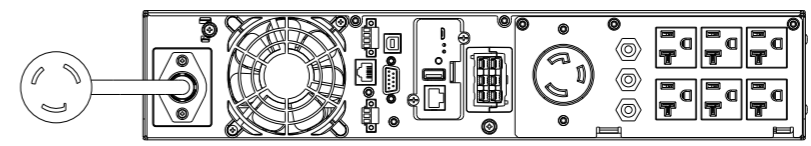
MGF ID	Catalog Nb	Short Description
9210-8137	5PX3000RTG2	Eaton 5PX 3000 RT2U G2
9210-8138	5PX3000RTNG2	Eaton 5PX 3000 RT2U Netpack G2



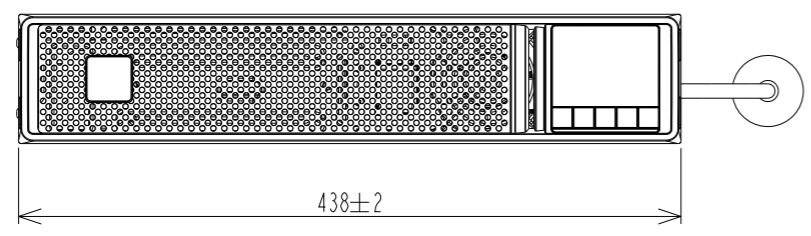
SCALE 0.150



Rear Panel View



Netpack Model Rear Panel View



METRIC		EATON CORPORATION			
DIMENSIONS ARE IN MILLIMETERS AFTER PLATING. DIMENSIONS AND TOLERANCES IN ACCORDANCE WITH ASME Y14.5M-1994. SEE NOTES FOR TOLERANCES.					
DESCRIPTION: 5PX G2 3K LV 2U model					
ORIGINATED: Wang Yao	27-May-2021	ECO:	NAME:	REVISION:	SIZE: A3
MODIFIED: /	/				SCALE: 0.200
CHECKED: /	/	DOCUMENT TYPE:	5PX G2 3K LV 2U	STATE:	SHEET: 1 OF 1
SAFETY: /	/	PRO-E DRAWING			
APPROVED: Fei Bennett	27-May-2021				

EATON CORPORATION - CONFIDENTIAL AND PROPRIETARY  
NOTICE TO PERSONS RECEIVING THIS DOCUMENT AND/OR TECHNICAL INFORMATION  
THIS DOCUMENT, INCLUDING THE DRAWING AND INFORMATION CONTAINED THEREON, IS CONFIDENTIAL AND IS THE EXCLUSIVE PROPERTY OF EATON CORPORATION, AND IS MERELY ON LOAN AND SUBJECT TO RECALL BY EATON AT ANY TIME. BY TAKING POSSESSION OF THIS DOCUMENT, THE RECIPIENT ACKNOWLEDGES AND AGREES THAT THIS DOCUMENT CANNOT BE USED IN ANY MANNER ADVERSE TO THE INTERESTS OF EATON AND THAT NO PORTION OF THIS DOCUMENT MAY BE COPIED OR OTHERWISE REPRODUCED WITHOUT THE PRIOR WRITTEN CONSENT OF EATON. IN THE CASE OF CONFLICTING CONTRACTUAL PROVISIONS, THIS NOTICE SHALL GOVERN THE STATUS OF THIS DOCUMENT. © 2011 Eaton Corporation - All Rights Reserved.