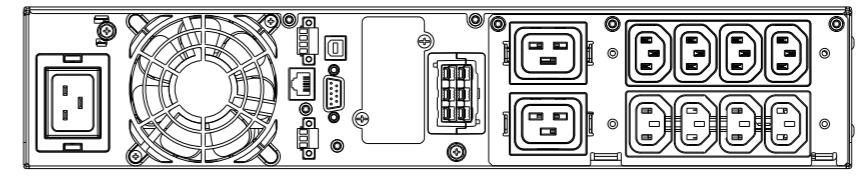
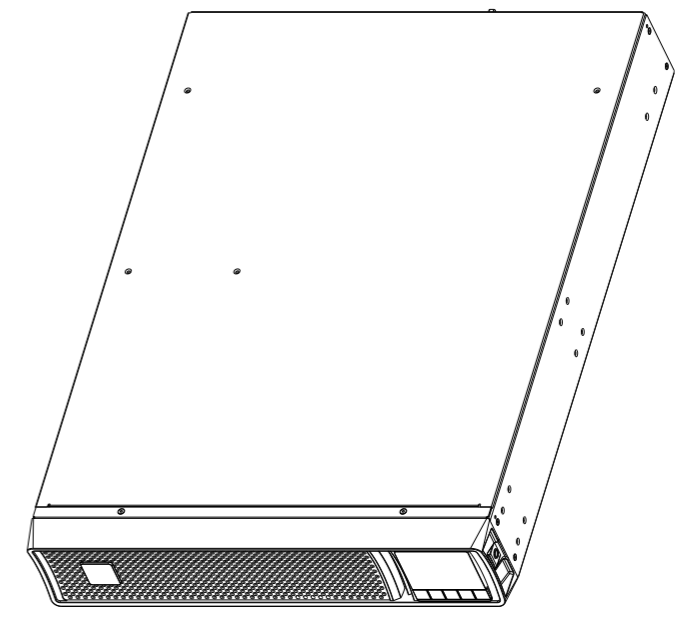
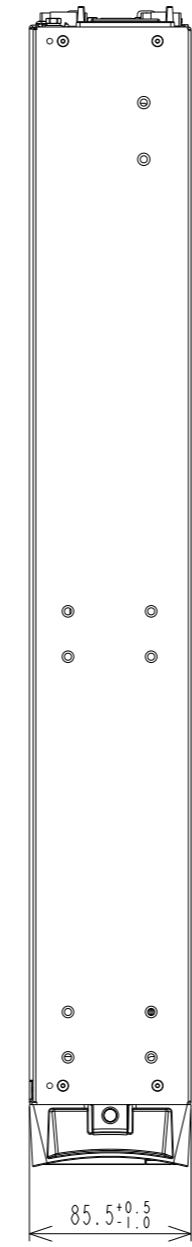
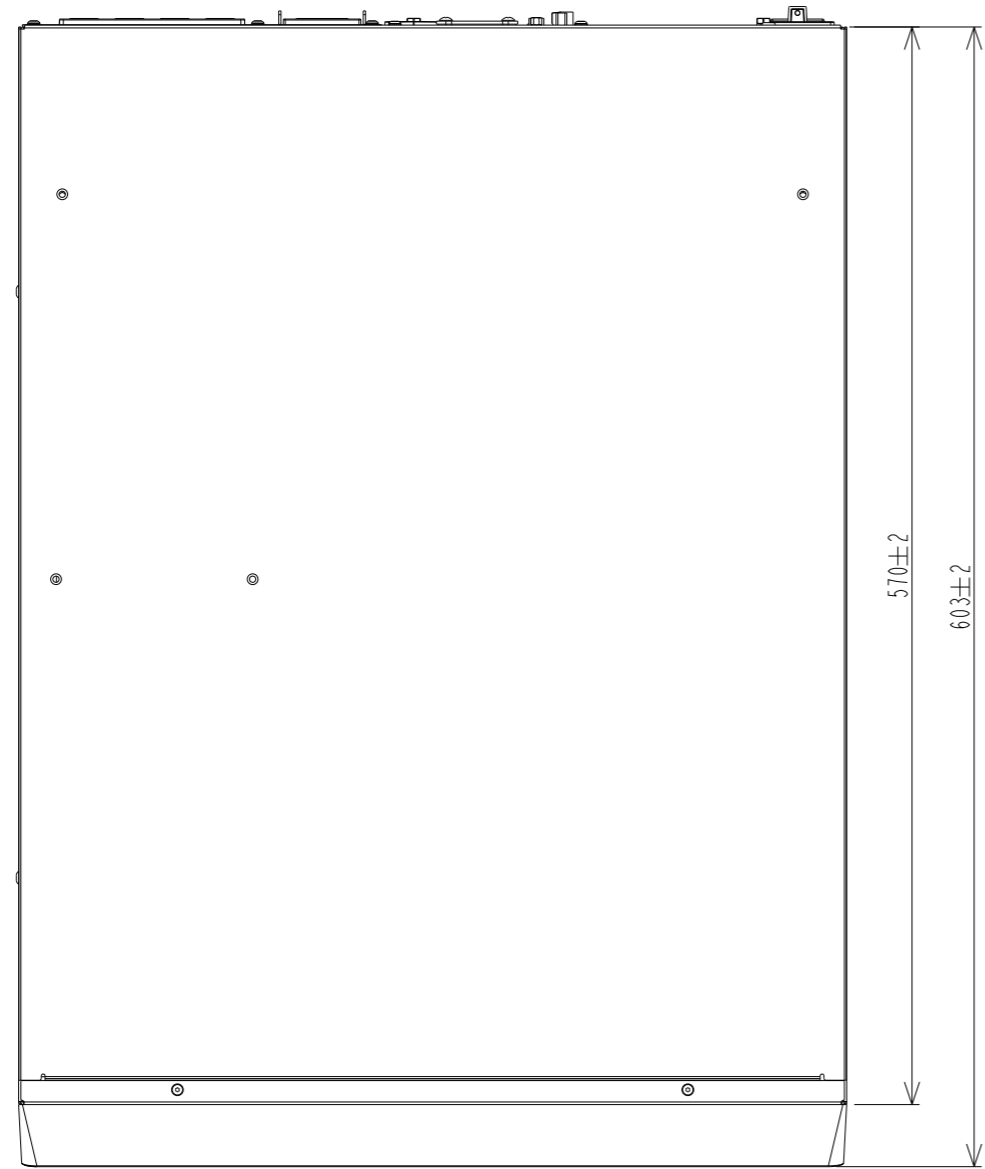
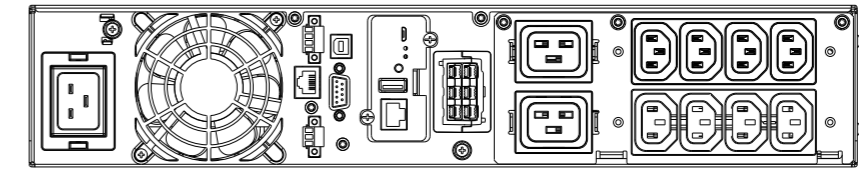


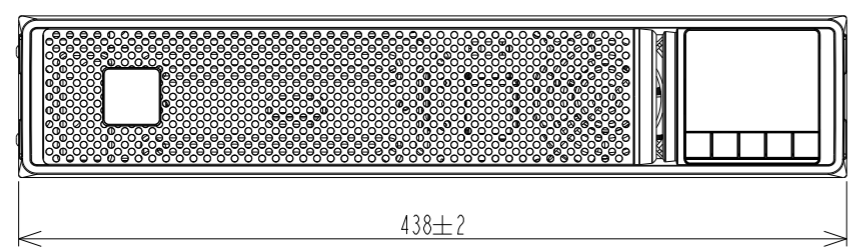
REV	DATE	ECO-CODE	MODIFICATION	PREPARED	APPROVED
00	27-May-2021		FIRST ISSUE	Wang, Yao	Fei, Bennett



Rear Panel View



Netpack Model Rear Panel View



Notes:
THIS DRAWING APPLIES 5PX G2 2.2-3K HV/H 2U MODELS:

MGF ID	Catalog Nb	Short Description
9210-73043	5PX22001RT2UG2	Eaton 5PX 2200i RT2U G2
9210-83120	5PX30001RT2UG2	Eaton 5PX 3000i RT2U G2
9210-73039	5PX22001RT2UTHG2	Eaton 5PX 2200i RT2U TIS1 G2
9210-83123	5PX30001RT2UTHG2	Eaton 5PX 3000i RT2U TIS1 G2
9210-73042	5PX22001RT2UAUG2	Eaton 5PX 2200i RT2U AU G2
9210-83124	5PX30001RT2UAUG2	Eaton 5PX 3000i RT2U AU G2
9210-7504	5PX2200HRTG2	Eaton 5PX 2200H RT2U G2
9210-8512	5PX3000HRTG2	Eaton 5PX 3000H RT2U G2
9210-8513	5PX3000HRTNG2	Eaton 5PX 3000H RT2U Netpack G2

METRIC		EATON CORPORATION		
DIMENSIONS ARE IN MILLIMETERS AFTER PLATING. DIMENSIONS AND TOLERANCES IN ACCORDANCE WITH ASME Y14.5M-1994. SEE NOTES FOR TOLERANCES.				
DESCRIPTION: 5PX G2 2.2-3K HV/H 2U model				
ORIGINATED: Wang Yao	27-May-2021	ECO:	NAME:	REVISION:
MODIFIED: /	/			STATE:
CHECKED: /	/	DOCUMENT TYPE:	5PX G2 2.2-3K HV/H 2U	SIZE: A3
SAFETY: /	/	PRO-E DRAWING		SCALE: 0.250
APPROVED: Fei Bennett	27-May-2021			SHEET: 1 OF 1

EATON CORPORATION - CONFIDENTIAL AND PROPRIETARY
 NOTICE TO PERSONS RECEIVING THIS DOCUMENT AND/OR TECHNICAL INFORMATION
 THIS DOCUMENT, INCLUDING THE DRAWING AND INFORMATION CONTAINED THEREON, IS CONFIDENTIAL AND IS THE EXCLUSIVE PROPERTY OF EATON CORPORATION, AND IS MERELY ON LOAN AND SUBJECT TO RECALL BY EATON AT ANY TIME. BY TAKING POSSESSION OF THIS DOCUMENT, THE RECIPIENT ACKNOWLEDGES AND AGREES THAT THIS DOCUMENT CANNOT BE USED IN ANY MANNER ADVERSE TO THE INTERESTS OF EATON AND THAT NO PORTION OF THIS DOCUMENT MAY BE COPIED OR OTHERWISE REPRODUCED WITHOUT THE PRIOR WRITTEN CONSENT OF EATON. IN THE CASE OF CONFLICTING CONTRACTUAL PROVISIONS, THIS NOTICE SHALL GOVERN THE STATUS OF THIS DOCUMENT.
 © 2011 Eaton Corporation - All Rights Reserved.