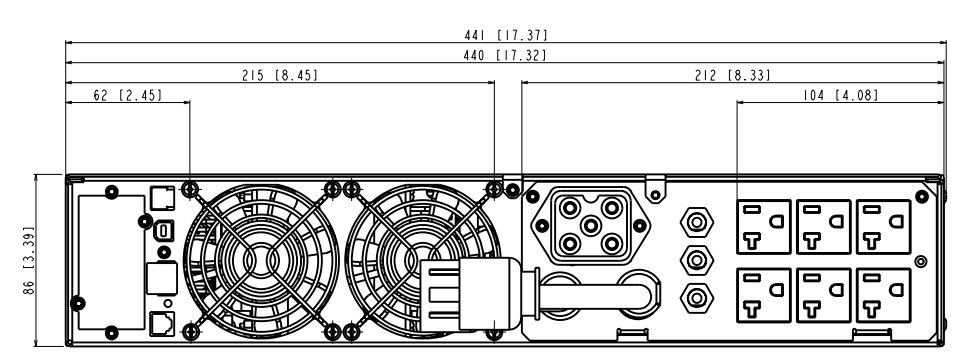
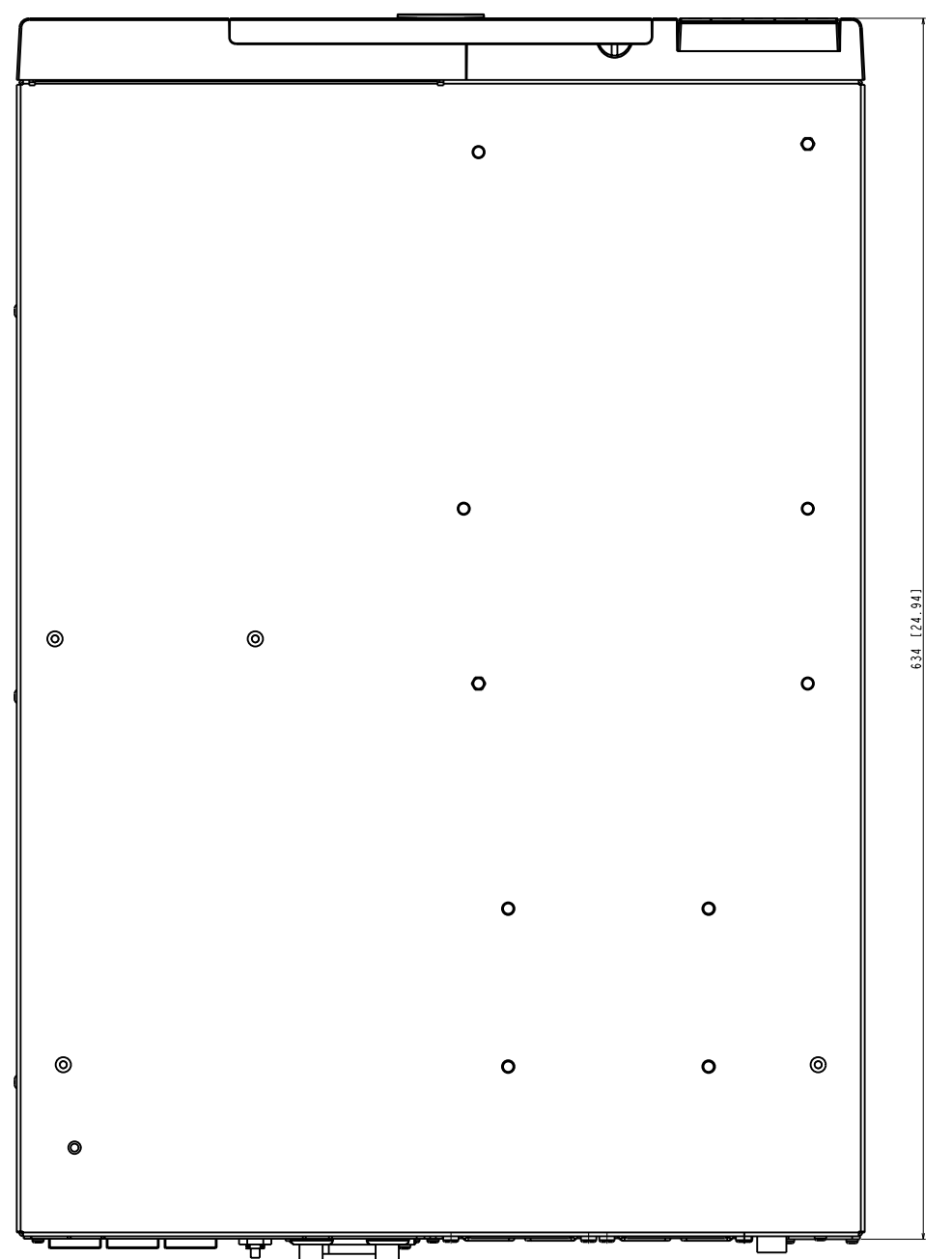
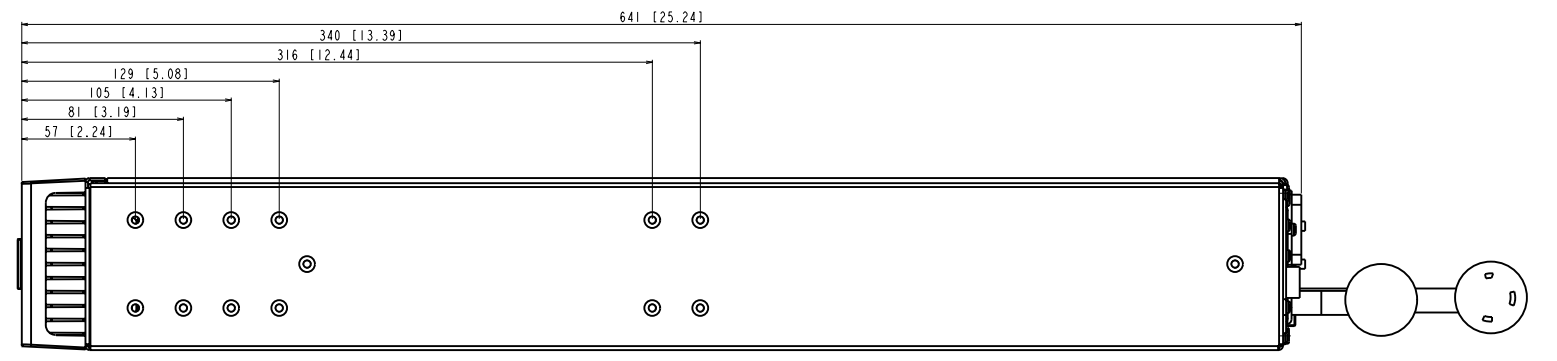
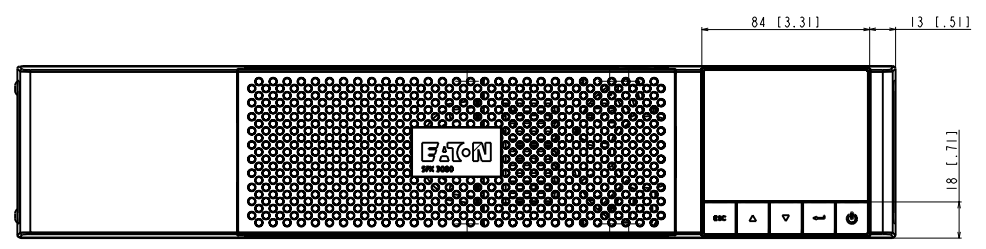


8 7 6 5 4 3 2 1

H G F E D C B A



8 7 6 5 4 3 2 1

A

Rev	Update Date	ECO Code	Modification	Author	Drawn	Checked	Released	Remark
01	16-Nov-2011		FIRST ISSUE	Austin				
METRIC				EATON CORPORATION, ELECTRICAL		A C		Sheet E
Description: SPX3000RTZU				Date: 16-Nov-2011		Scale: 4:3		Do not scale drawing or change assembly
Author: Austin				Drawn: Re Feasie		Checked: [Signature]		Revision: 00
PRO-ENGINEER GENERATED				Part Name: SPX3000RTZU		Revision: 00		Sheet: 1 of 1