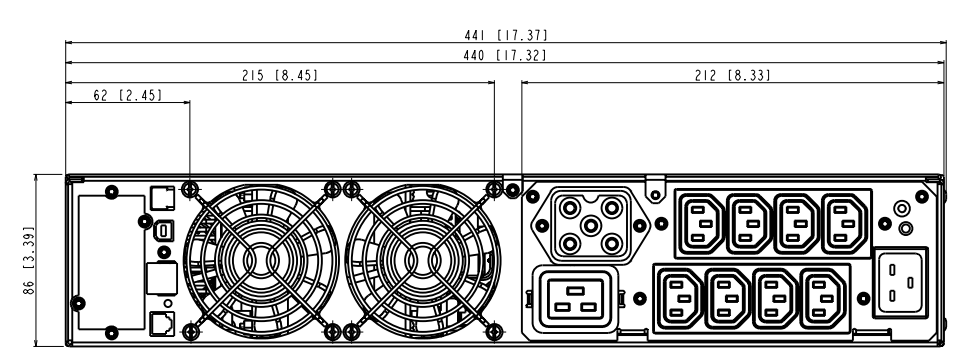
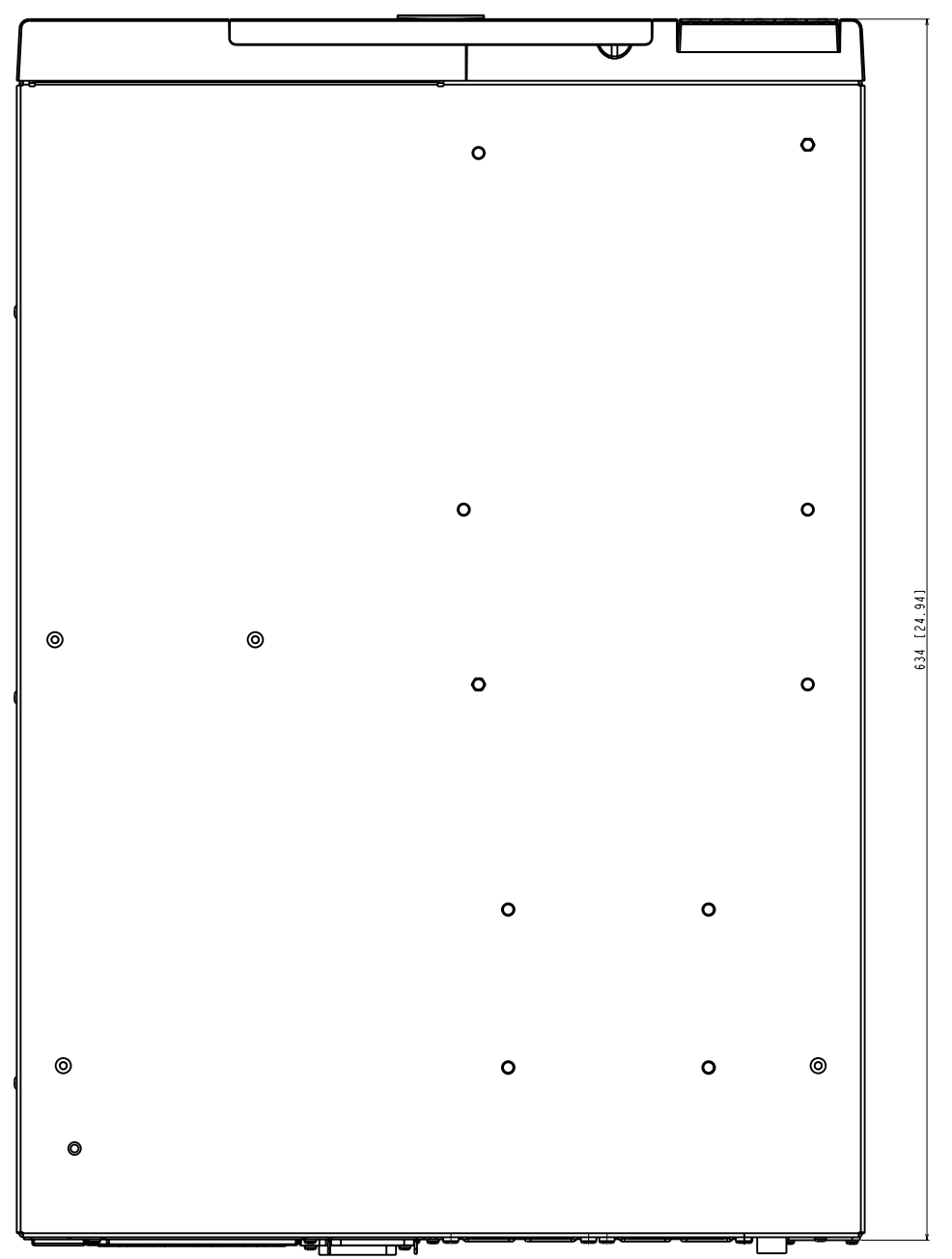
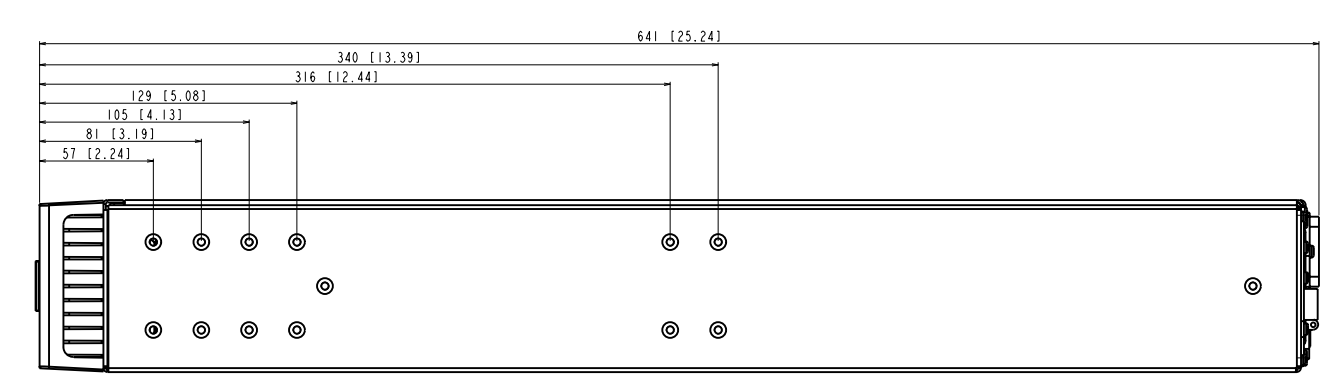
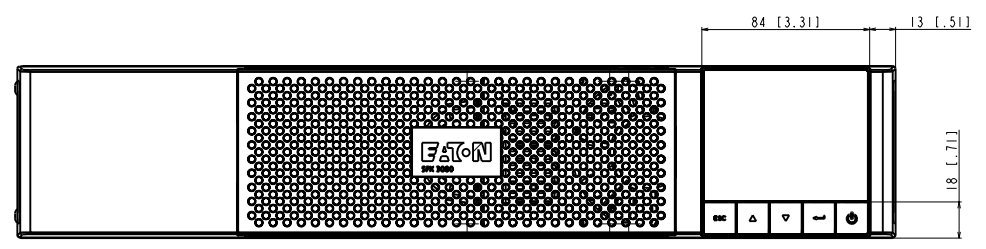


8 7 6 5 4 3 2 1

H G F E D C B A



8 7 6 5 4 3 2 1

H G F E D C B A

Rev	Update Date	ECO Code	Modification	Author	Check	Drawn	Scale	Remark
00	16-Nov-2011		FIRST ISSUE	Austin	Visa	Tall		
				Prepared	Reviewed			
METRIC		EATON CORPORATION, ELECTRICAL		A C		Sheet: 1 of 1		
Part name: SPX3000IRT2U		Rev: 16-Nov-2011		Scale: 1:1		Do not scale drawings or change assembly		
Author: Austin		Draw: Relesse		Revision: 00		Sheet: 1 of 1		
Title: PRO-ENGINEER GENERATED		Part name: SPX3000IRT2U		Revision: 00		Sheet: 1 of 1		